



**QUALITY... PLAIN & SIMPLE®**

**Blower Drive Kickdown Cable Installation Instructions**

*For TH200, TH350, TH700-R4, TH200-4R, and 4L60*

**General Installation Notes:**

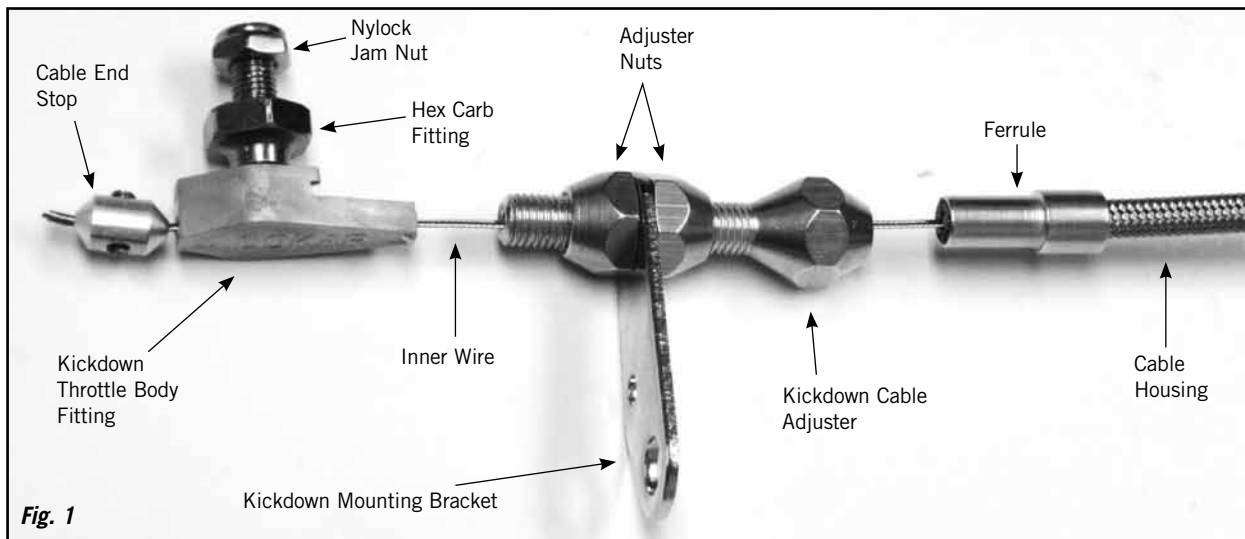
Please read instructions completely before beginning installation. If you have any questions, please do not hesitate to call.

Do not attempt to install or adjust Kickdown Cable while engine is running. Be sure engine, body and frame are grounded properly.

We recommend using an anti-seize lubricant on all aluminum threads before installation. Do not over tighten while installing cables.

**NOTE:** Lokar's Blower Drive Kickdown Cable Kits are designed to operate with a Lokar Throttle Cable and BDS, Enderle or Weiland style linkage for sideways mounted carburetors.

**Step 1:** Install and adjust all blower drive linkage components before beginning to install the Lokar Blower Drive Kickdown Cable. If a Lokar Blower Drive Throttle Cable has not previously been installed and is being installed at the same time as the blower drive kickdown cable, you must install the blower cable bracket (see Lokar Blower Drive Throttle Cable Installation Instructions) before beginning the blower drive kickdown cable installation.



**Fig. 1**

# Blower Drive Kickdown Cable Installation Instructions

*For TH200, TH350, TH700-R4, TH200-4R, and 4L60*

**Building American Quality... With A Lifetime Warranty!®**

10924 Murdock Dr. • Knoxville, TN 37932

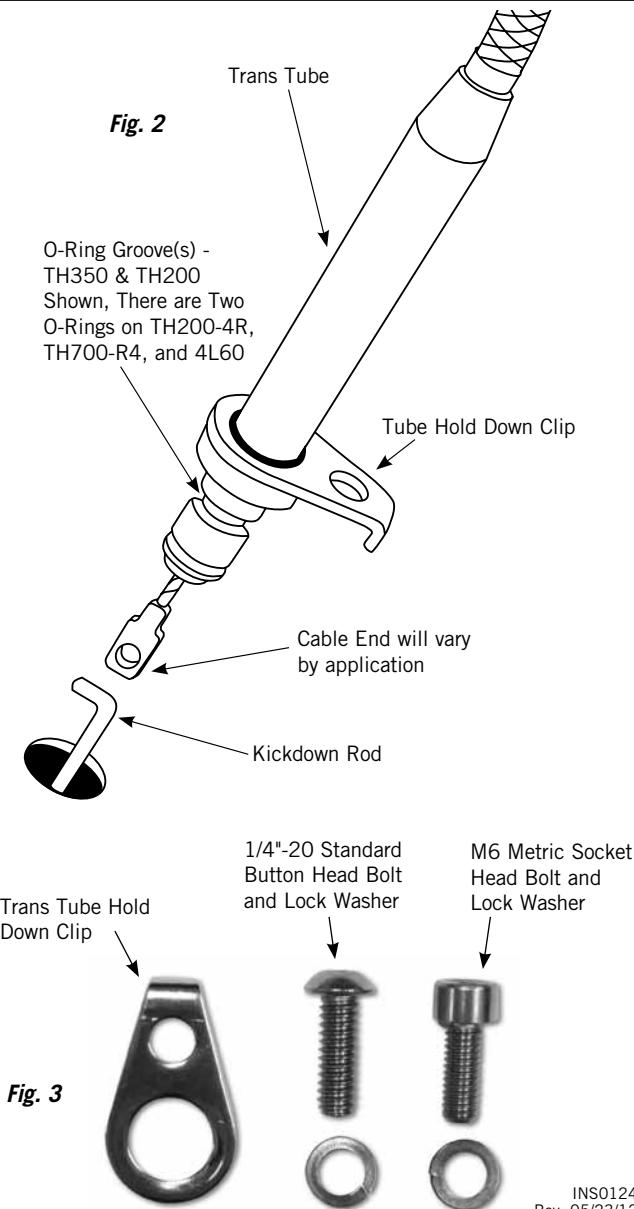
TOLL FREE 1-877-469-7440 • (865) 966-2269 • FAX (865) 671-1999 • tech@lokar.com • www.lokar.com

**Step 2:** At the engine end of the blower drive kickdown cable, remove the cable end stop. Slide the kickdown throttle body fitting, kickdown mounting bracket and kickdown cable adjuster off of the inner wire. Pull the inner wire out of the cable housing. **Fig. 1**

**Step 3:** From the engine end of the blower drive kickdown cable housing, install the tube hold down clip onto the cable housing with the lip pointed downwards, and slide it down to the trans tube at the end of the cable housing. Temporarily install cable housing into transmission without the o-ring(s) and inner wire. Loosely install the bolt for the tube hold down clip, to keep the cable housing from accidentally coming out of the transmission. **Fig. 2**

**Note:** TH200 and TH350 transmissions could have come with either a standard or a metric bolt for the trans tube hold down clip. For those applications, we have included both a standard 1/4"-20 and a metric M6 bolt and lock washer for the trans tube hold down clip. The standard 1/4" - 20 bolt has a rounded button head, and the metric M6 bolt has a square-shouldered socket head. The TH200-4R, TH700-R4, and 4L60 will only have a metric bolt and washer in the kit. **Fig. 3**

**Step 4:** The throttle cable adjuster goes through both the blower cable bracket and the kickdown cable mounting bracket. If a Lokar throttle cable has already been installed, disconnect the throttle cable inner wire and remove the front throttle cable adjuster nut. If the throttle cable is being installed at the same time as the kickdown cable, insert the throttle cable adjuster into the blower cable bracket.



**Fig. 3**



**QUALITY... PLAIN & SIMPLE®**

**Blower Drive Kickdown Cable Installation Instructions**

**For TH200, TH350, TH700-R4, TH200-4R, and 4L60**

# Blower Drive Kickdown Cable Installation Instructions

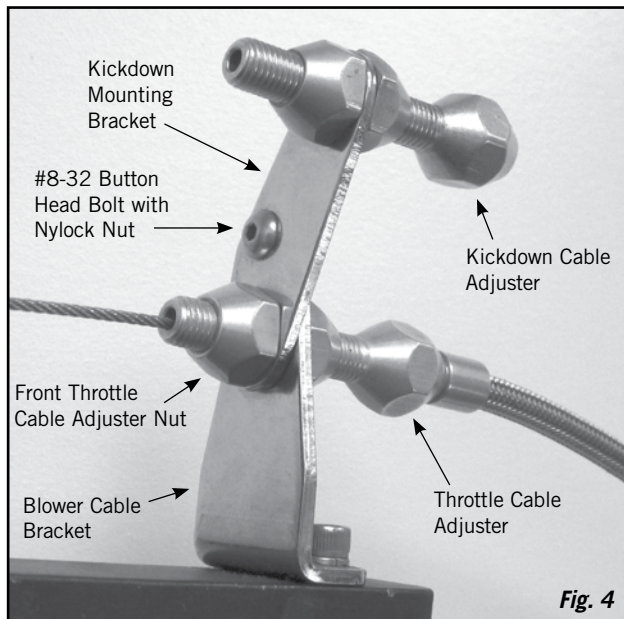
For TH200, TH350, TH700-R4, TH200-4R, and 4L60

**Building American Quality... With A Lifetime Warranty!®**

10924 Murdock Dr. • Knoxville, TN 37932

TOLL FREE 1-877-469-7440 • (865) 966-2269 • FAX (865) 671-1999 • tech@lokar.com • www.lokar.com

**Step 5:** Route the throttle cable inner wire and the throttle cable adjuster through the bottom hole in the kickdown mounting bracket. Reinstall the front throttle cable adjuster nut, and connect (or reconnect) the throttle cable inner wire. Attach kickdown mounting bracket to blower cable bracket as shown in **Fig. 4**, using the #8-32 x 1/2" button head bolt and nylock nut.



**Fig. 4**

**Step 6:** Route kickdown cable housing up to the kickdown cable adjuster. If the cable housing is braided stainless steel, slide the ferrule back towards the transmission, away from the end that is being cut. DO NOT remove the ferrule from a braided stainless steel housing! If the housing is black universal, remove the ferrule. Add 1" extra and cut the kickdown cable housing to desired length. Make sure that the inner wire is removed from the cable housing before cutting!

**Step 6: (continued)** If the cable housing is braided stainless steel, wrap tape around the area to be cut and use an abrasive cutoff saw or fine-toothed hacksaw. If the kickdown cable has a black universal housing, cut the cable housing with heavy duty 8" diagonal cutting pliers or a hacksaw. Lokar recommends Klein brand Diagonal Cutting Pliers, # 2-2000-28 available at The Home Depot or through W. W. Graingers, Part # 4A838.

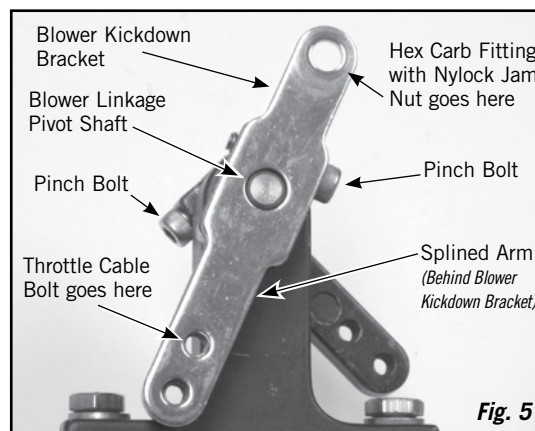
After cutting the cable housing, put the ferrule back in place at the end of the cable housing. Insert the cable housing and ferrule into the kickdown cable adjuster.

**Step 7:** Remove the kickdown cable housing from the transmission. Re-install the inner wire into the blower drive kickdown cable housing.

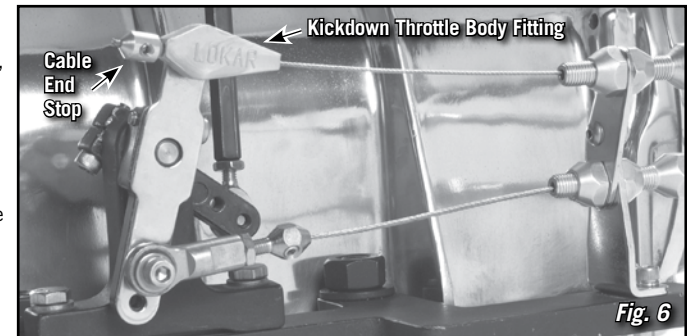
**Step 8:** On the trans tube at the transmission end of the blower drive kickdown cable there will be either one or two o-ring grooves. TH350 & TH200 use one o-ring, and the TH700R4, TH200-4R, and 4L60 use two o-rings. Lightly lubricate the kickdown cable o-ring(s) with clean transmission fluid and slide the o-ring(s) into the groove(s) on the trans tube. To help prevent leakage add a small amount of silicone sealant (RTV) around the trans tube above the top o-ring. **Fig. 2**

**Step 9:** Insert the hook on the transmission kickdown rod into the hole on the end of the kickdown cable inner wire. Install the transmission tube into the transmission, and secure with the tube hold down clip and bolt.

**Step 10:** Install the blower kickdown bracket onto the splined arm on the blower throttle linkage, with the two holes at the bottom. The blower kickdown bracket is positioned by the blower linkage pivot shaft and attached using the throttle cable bolt. If the blower linkage pivot shaft does not protrude out far enough to align the blower kickdown bracket, it will be necessary to adjust the position of the splined arms on the pivot shaft by loosening the pinch bolts and repositioning parts as needed. **Fig. 5**



**Fig. 5**



**Fig. 6**

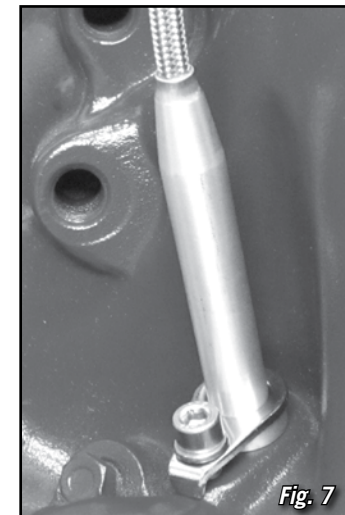
**Step 11:** Install hex carb fitting and nylock jam nut with kickdown throttle body fitting in the top hole on the blower kickdown bracket. Tighten the nylock jam nut.

**Step 12:** Install inner wire through the kickdown throttle body fitting, and slide the cable end stop onto the inner wire. Position the cable end stop approximately 2" from the kickdown throttle body fitting and snug down the set screw just enough to keep it from sliding off.

**Step 13:** Make final adjustments by holding throttle to wide open and pulling the kickdown inner cable as tight as possible. Move cable end stop up against the kickdown throttle body fitting and tighten set screw. When the blower drive kickdown cable is properly adjusted you will be able to open the throttle to the wide open position and there will be no slack in the inner wire.

Double check to be sure that all carburetor, throttle and kickdown linkage operates freely without binding, then test drive. Once kickdown cable is correctly adjusted and operating properly you can cut off the excess inner wire, leaving about 1" extending beyond the cable end stop to allow for future adjustment.

When finished, the installation should look like **Fig. 6** and **Fig. 7**.



**Fig. 7**